

10.2. Interior cleaning

1.	The chamber should be emptied of any samples before cleaning.
2.	Open the door of the device and wait for the frost to melt, take out the shelves and start cleaning the device.
3.	Only water or mild detergent should be used.
4.	Having finished cleaning, you should allow the device to dry fully and fit all parts removed before cleaning.
5.	During cleaning pay attention not to damage the temperature sensor in the chamber.
6.	In drying oven (SL) could happened the internal bottom metal part becomes discolored. It is caused by very high heaters temperature which are placed just under bottom metal part. Change of color of the sheet does not cause any malfunction.

11. ADVICE ON HOW TO SAFELY STORE THE DEVICE

1.	Remove all objects from the chamber.
2.	Disconnect the device from the mains.
3.	Clean and dry the chamber.
4.	Leave the door open to allow adequate ventilation.
5.	Store in temperatures between 0°C and 50°C and relative humidity maximum 70%.

12. TROUBLESHOOTING

Before you contact POL-EKO Aparatura Service Department:

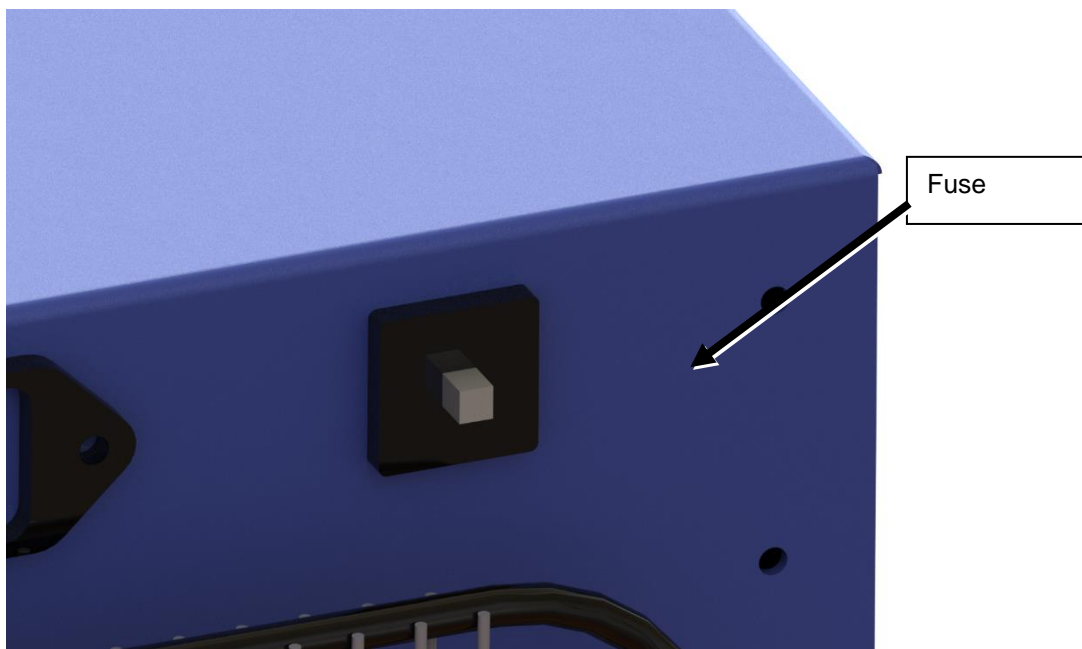
1.	Make sure that the operation complies with the instruction manual of the device.
2.	Restart the device to make sure that the unit is not functioning properly. If it still does not work, disconnect the unit again from the mains and repeat the operation after one hour.

12.1. Possible defects

Malfunction	What to check	What to do
The unit is not working	Check the voltage in the socket	Measure the voltage in the socket; if necessary, change the fuses in the electric installation in the building
	Check if the unit is plugged in	Plug in the unit
	Check the status of a circuit-breaker on the back of the device	Press the circuit breaker on the back of the device.
	Check if the power cable is broken	Change the cable
The unit is not cooling down	Check if the unit is exposed to direct sunlight	Change the location of the unit
	Check if the unit is located near a radiator	Change the location of the unit
	Check if the door of the unit is closed properly	Clean the gasket
	Does the installation site meet the installation conditions?	Adapt to the installation requirements on site (according to point 3)
The unit is not heating up	Check if the door of the unit is closed properly	Clean the gasket
	Check if the fan is turned on	If not please contact service
	Does the installation site meet the installation conditions?	Adapt to the installation requirements on site (according to point 3)
The unit is working too loudly	Check if the unit is not touching other objects (e.g. furniture etc.)	Remove other objects
Sagging or tilted doors	Check if the doors are properly leveled. (see chapter 3).	If the doors are correctly leveled and still are sagging, please contact service.

12.2. *Circuit breaker*

The device is equipped with an automatic circuit breaker and does not require its replacement in case of failure. Switching on the circuit-breaker is done by pressing it. If the device turns off the protection every time, call an authorized service center.



13. WARRANTY

Warranty conditions shall be subject to Polish law

Support form and warranty conditions are specified on the manufacturer's website:

<http://www.pol-eko.com.pl/en/service>

Warranty repairs have to be reported to:

POL-EKO-APARATURA Sp.j.
ul. Kokoszycka 172 C
44-300 Wodzisław Śl.

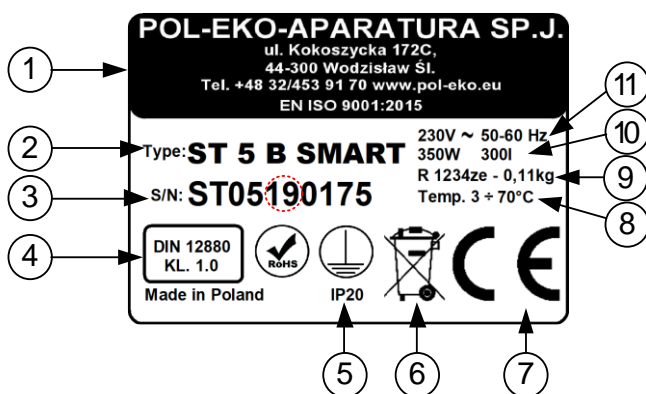
Tel:
 +48 32 453 91 96
 +48 32 453 91 70
 +48 32 453 90 30

E-mail:
export.service@pol-eko.com.pl

14. RATING PLATE

The rating plate is located on the left wall of the unit, in the upper left corner.

An example of the rating plate:



1. Name and address of manufacturer
2. Type of device
3. Serial number (2 indicated numbers state the year of production of the device)
4. Temperature safety device according with DIN12880
5. Electric shock protection: protection against indirect contact and IP code
6. Disposal of used device according with WEEE2
7. CE sign
8. Temperature range (max)
9. The data of the cooling system of the device (gas type and quantity)
10. Maximum power consumption, and capacity of device
11. Voltage and Frequency of mains

15. TECHNICAL DATA

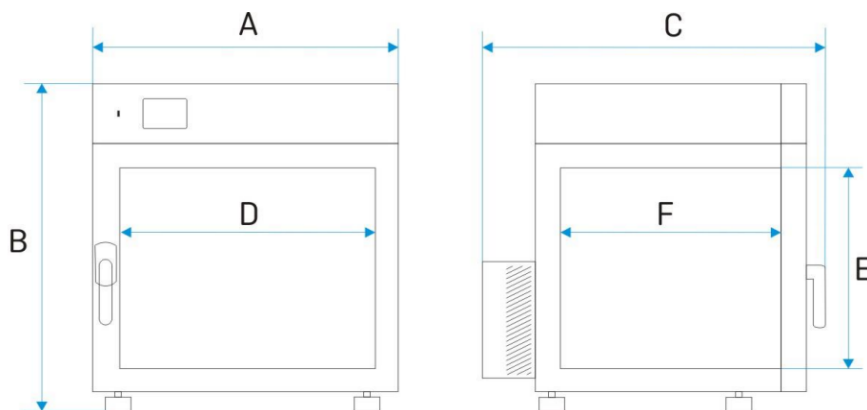
The technical data allows for $\pm 5\%$ tolerance. Usable capacity is always less.

15.1. ILP

Parametry		ILP 53	ILP 115	ILP 240	ILP 750
air convection		forced			
chamber capacity ¹⁾ [l]		56	112	245	749
door type		solid + internal glass door			
temperature range [°C]		0...+70 (max 20°C below ambient temp.)			
controller		microprocessor with external touch screen			
interior		stainless steel			
housing		stainless steel (linen finished)			
overall dims [mm]	A width	590	650	810	1260
	B height	710	850	1140	1580
	C depth ²⁾	690	780	840	1040
internal dims [mm]	D width	400	460	600	1040
	E height	390	540	800	1200
	F depth	350	440	510	600
weight (kg)		52	70	115	245
shelves fitted/max		2/5	2/7	3/10	5/16
max shelf workload [kg] ³⁾		25	25	25	25
max unit workload [kg]		50	50	90	140
voltage 50/60 Hz [V]		220-240			
nominal power [W]		500	600	1000	1400
warranty		24 miesiące			

1. working capacity of chamber can be smaller,
2. depth does not include 50mm of power cable
3. on uniformly loaded surface

All the above technical data refer to standard units (without optional accessories)

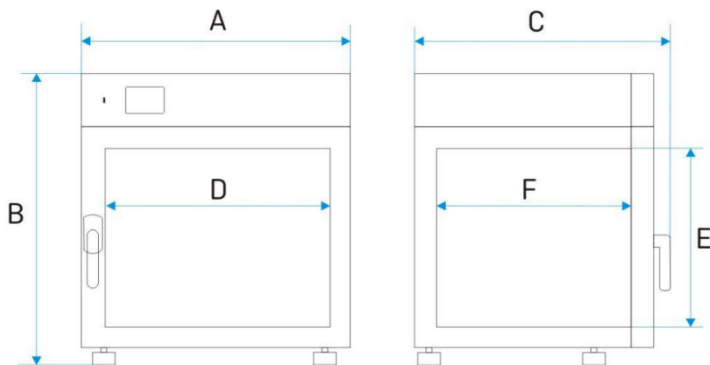


15.2. SL, CL, IL

Parametr		SL15 CL15	SL32 CL32	SL53 CL53	SL75	SL115 CL115	SL180 CL180	SL240 CL240	SL400 CL400	SL750 CL750	SL1000 CL1000	
air convection		natural (N)/forced (W)							forced (W)			
chamber capacity ¹ [l]		15	32	56	74	112	180	245	424	749	1005	
door type		solid		solid/door with viewing window(option)								
temperature range	SL	+ 5°C above ambient temperature...+300°C										
	CL	41°F above ambient temperature...572°F										
temperature resolution[°C]		every 0,1										
controller		microprocessor with external LCD graphic display										
interior		acid- proof stainless stell to DIN 1.4301										
housing	-	powder coated sheet										
	INOX/G	stainless stell linen finish										
overall dims ² [mm]	A width	510	590	590	590	650	650	810	1010	1260	1260	
	B height	550	630	700	850	850	1030	1200	1430	1600	2000	
	C depth	470	520	620	570	710	820	770	780	870	880	
internal dims [mm]	D width	320	400	400	400	460	470	600	800	1040	1040	
	E height	230	320	390	530	540	720	800	1040	1200	1610	
	F depth	200	250	360	350	450	560	510	510	600	600	
max shelf workload ⁵ [kg]	-	10	10	25	25	25	25	25	25	-	-	
	PW ³ version	-	-	50	50	50	50	100	100	100	100	
max unit workload [kg]	-	20	30	40	40	60	75	90	120	140	-	
	W ⁴ version	-	-	80	80	120	120	300	300	300	300	
nominal power[W]		See rating plate										
weight [kg]		27	35	50	56	65	94	126	174	260	330	
over temperature protec- tion		class 2.0 according to DIN 12880/class 3.1										
power supply	SL	230 [V] ±10% / 50 [Hz]							400 [V] ±10% / 50 [Hz] 3P+N+PE			
	CL	230 [V] ±10% / 50 [Hz]										
shelvesfitted/max		1/2	1/3	2/5		2/ 7	3/9	3/10	3/14	5/16	6/22	
warranty		24 months										
manufacturer		POL – EKO APARATURA										

1. working capacity of chamber can be smaller,
2. depth does not include 50mm of power cable
3. reinforced shelf,
4. reinforced version,
5. on uniformly loaded surface

All the above technical data refer to standard units (without optional accessories)



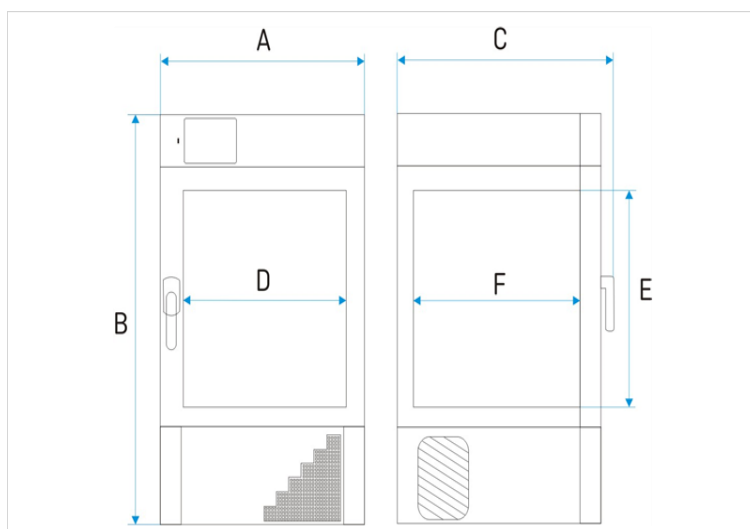
SL CL 15-1000

Parametr		ILW 53	ILW 115	ILW 240	ILW 400	ILW 750
air convection		forced				
chamber capacity ¹ [l]		56	112	245	424	749
door type		double/ door with viewing window (option)				
temperature range[°C]		-10(option) /0...+70				
temperature range[°F]		14(option)/32...158				
temperature resolution[°C]		every 0,1				
controller		microprocessor with external LCD graphic display				
interior		acid-proof stainless steel to DIN 1.4301				
housing	-	powder coated sheet				
	INOX/G	stainless steel linen finish				
overall dims ² [mm]	A width	610	660	820	1040	1260
	B height	960	1100	1430	1680	1910
	C depth	630	720	720	780	880
internal dims [mm]	D width	400	460	600	800	1040
	E height	390	540	800	1040	1200
	F depth	360	450	510	510	600
max shelf workload ³ [kg]	-	25	25	25	25	-
	PW ³ ver- sion	50	50	100	100	100
max unit workload[kg]	-	40	60	90	120	140
	W ⁴ version	80	120	300	300	300
nominal power[W]		See rating plate				
weight[kg]		69	90	140	185	275
over temperature protection		class 2.0 according to DIN 12880/class 3.3(option)				
power supply		230 V 50 Hz				
shelves fitted/max		2/5	2/7	3/10	3/14	5/16
warranty		24months				
manufacturer		POL – EKO APARATURA				

1. working capacity of chamber can be smaller,
2. depth does not include 50mm of power cable
3. reinforced shelf,
4. reinforced version,
5. on uniformly loaded surface

All the above technical data refer to standard units
(without optional accessories)

ILW 53 - 750



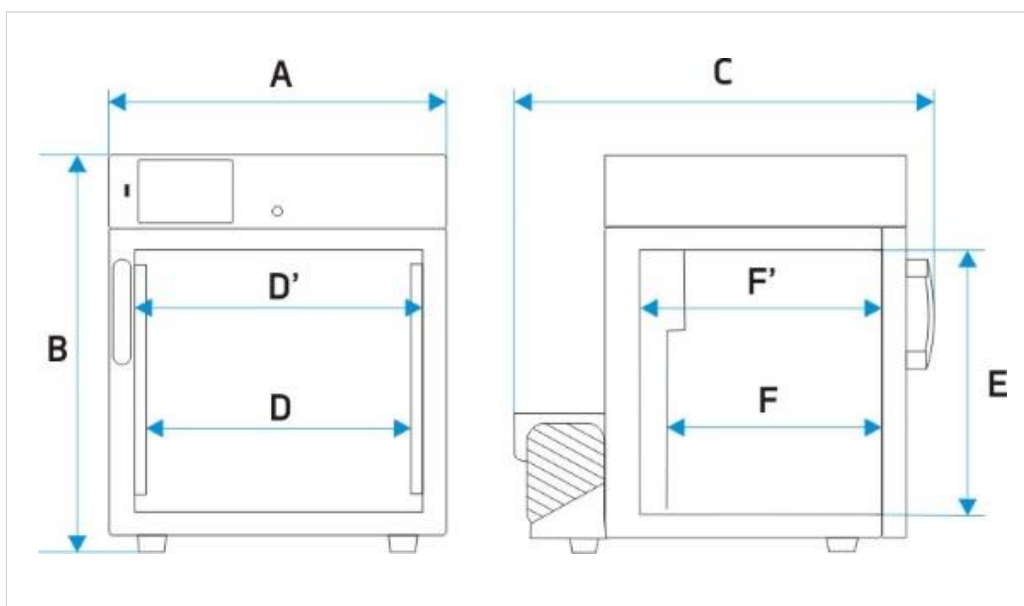
15.3. ST, CHL

Parametr		ST1 CHL1	ST2 CHL2	ST3 CHL3	ST4 CHL4	ST5 CHL5	ST6 CHL6	ST500 CHL500	ST700 CHL700	ST1200 CHL1200	ST1450 CHL1450	
air convection		forced										
chamber capacity[l]	[l]	70	150	200	250	300	400	500	625	1365	1540	
working capacity[l]	[l]	55	122	163	203	243	324	411	499	1239	1376	
door type		solid / glass of double ¹ (option)										
temperature range[°C]	CHL	[°C]	0...+15					0...+15 / -10...+15 (option)				
		[°F]	32...+59					32...+59/14...+59 (option)				
	ST	[°C]	+3...+40/ to + 70									
		[°F]	+37...+104 / to +158									
temperature resolution[°C]		every 0,1										
controller		microprocessor with external LCD graphic display										
interior	B Smart	aluminium										
	C Smart	stainless steel to. DIN 1.4016										
	CS Smart	stainless steel to. DIN 1.4016										
housing	B Smart	powder coated sheet										
	C Smart	powder coated sheet										
	CS Smart	polished stainless steel										
overall dims ² [mm]	A width	570	620	620	620	620	620	660	750	1480	1450	
	B height	600	860	1060	1260	1460	1860	1990	1990	1990	1970	
	C depth	680	650	650	650	650	650	810	860	860	950	
internal dims[mm]	D width	430	480	480	480	480	480	480	480	2x480	2x480	
	D' width	470	520	520	520	520	520	510	600	1310	1340	
	E height	430	660	860	1060	1260	1660	1510	1510	1510	1460	
	F depth	300	420	420	420	420	420	650	690	690	750	
	F' depth	360	480	480	480	480	480	-	-	-	-	
	G depth	-	320	320	320	320	320	-	-	-	-	
	H height	-	440	640	840	1050	1440	-	-	-	-	
	I height	-	-	-	-	-	-	1380	1360	1360	1300	
max shelf workload ² [kg]	-	10	10	10	10	10	10	20	30	30	30	
	PW ⁵ version	On request						100	150	300	300	
max unit workload [kg]	-	20	30	40	50	60	60	100	150	300	300	
	W ⁶ version	On request										
Nominal Power [W]		See rating plate										
Total maximum power of electrical outlets (optional)		$\Sigma_{max.} 200 [W]$										
weight ⁸ [kg]		32	54	59	69	75	90	105	115	185	200	
over temperature protection		Class 1.0 to DIN 12880/ klasa 3.3 (option)										
power supply*		230 [V] ±10% / 50 [Hz]										
shelvesfitted/max		2/2	3/4	3/4	4/6	4/7	4/10	3/11	3/11	2x3/11 ⁹	2x3/11 ⁹	
cooling agent		R134a										
warranty		24 months										
manufacturer		POL-KO APARATURA										

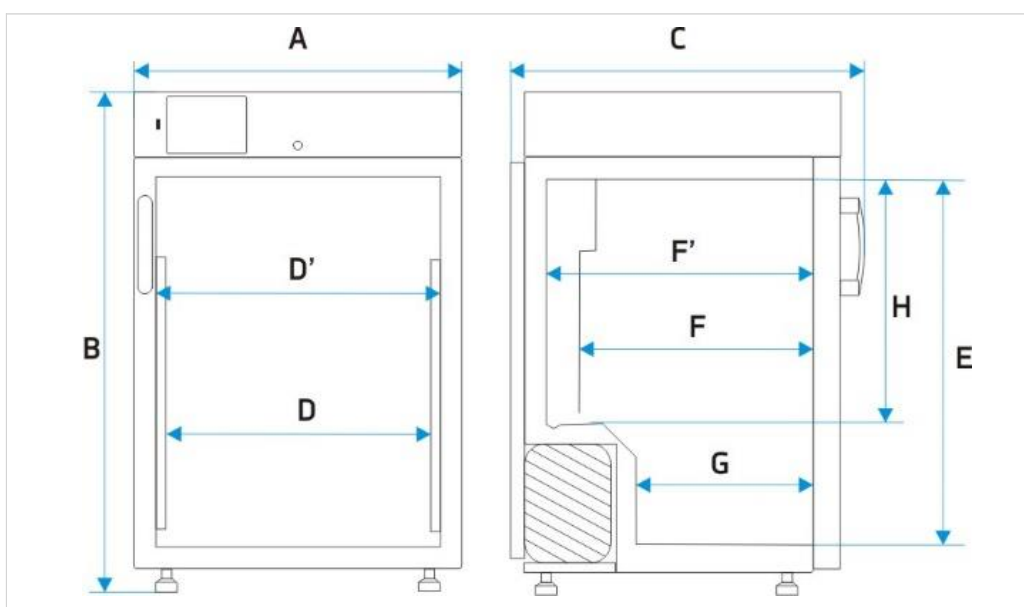
Parametr			CHL1/1	CHL1/1/1	CHL2/2	CHL2/3	CHL2/4	CHL3/3
air convection			forced					
chamber capacity[l]			70/70	70/70/70	150/150	150/200	150/250	200/200
working capacity[l]			55/55	55/55/55	122/122	122/163	123/203	163/163
door type			solid / glass of double ¹ (option)					
Temperature range[°C]	CHL	[°C]	0...+15					
		[°F]	32...+59					
	ST	[°C]	+3...+40/ do + 70(option)					
		[°F]	+37...+104 / do +158 (option)					
temperature resolution[°C]			every 0,1					
controller			microprocessor with external LCD graphic display					
interior	B Smart		aluminium					
	C Smart		stainless steel to. DIN 1.4016					
	CS Smart		stainless steel to. DIN 1.4016					
housing	B Smart		powder coated sheet					
	C Smart		powder coated sheet					
	CS Smart		polished stainless steel					
overall dims ² [mm]	A width		570	570	620	620	620	620
	B height		1290	1920	1720	1910	2110	2110
	C depth		680	680	650	650	650	650
internal dims ³ [mm]	D width		430	430	480	480	480	480
	D' width		470	470	520	520	520	520
	E height		430	430	660	660/860	660/1060	860
	F depth		300	300	420	420	420	420
	F' depth		360	360	480	480	480	480
	G depth		-	-	320	320	320	320
	H height		-	-	440	440/640	440/840	640
max shelf workload ⁴ [kg]	-		10	10	10	10	10	10
	PW ⁵ version		On request					
max unit workload [kg]	-		20	30	40	50	60	60
	W ⁶ version		On request					
nominal power ⁷ [W]			See rating plate					
weight [kg]			65	98	109	114	124	119
over temperature protection			Class 1.0 to DIN 12880/ klasa 3.3 (option)					
Power supply			230 [V] ±10% / 50 [Hz]					
shelves fitted/max			See table for single chamber models					
Total maximum power of electrical outlets (optional)			Σ _{max} 200W					
cooling agent			R134a					
warranty			24 months					
manufacturer			POL-EKO APARATURA sp.j.					

1. additional internal glass door
2. depth does not include 50mm of power cable
3. dims of units with double door can be smaller
4. on uniform loaded surface
5. reinforced shelf,
6. reinforced version,
7. for units in B Smart version solid door

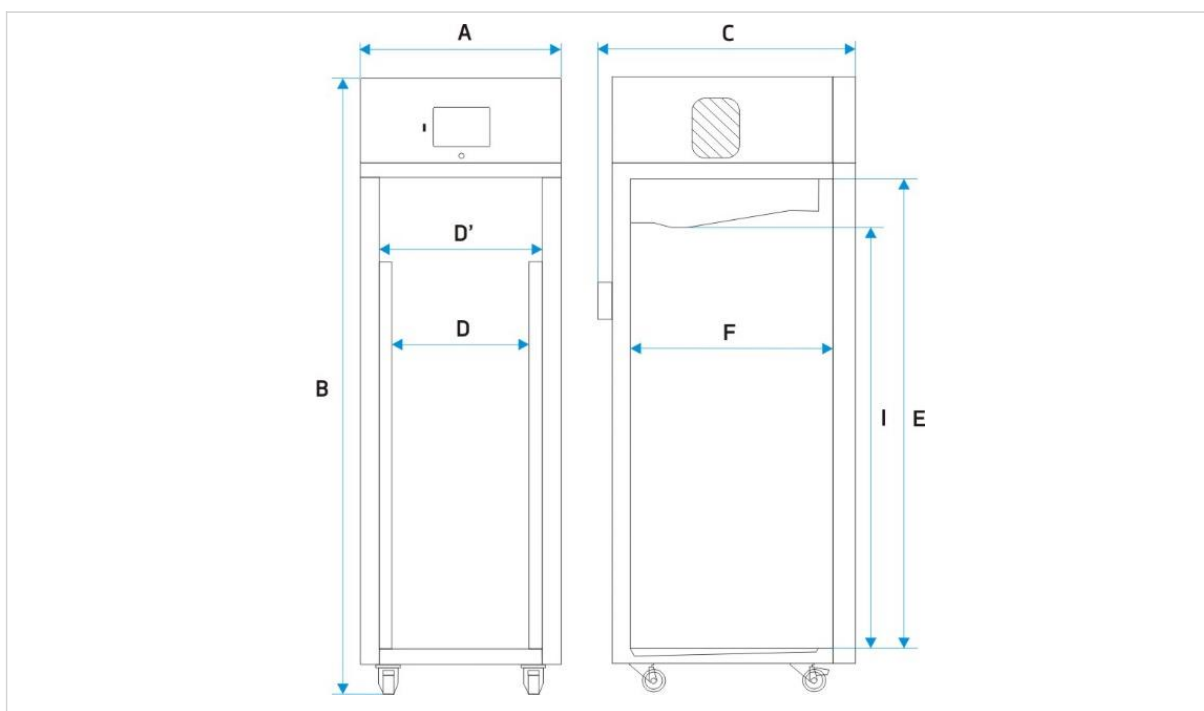
All the above technical data refer to standard units (without optional accessories)



ST CHL: 1



ST CHL: 2,3,4,5,6



ST CHL 500, 700, 1200, 1450

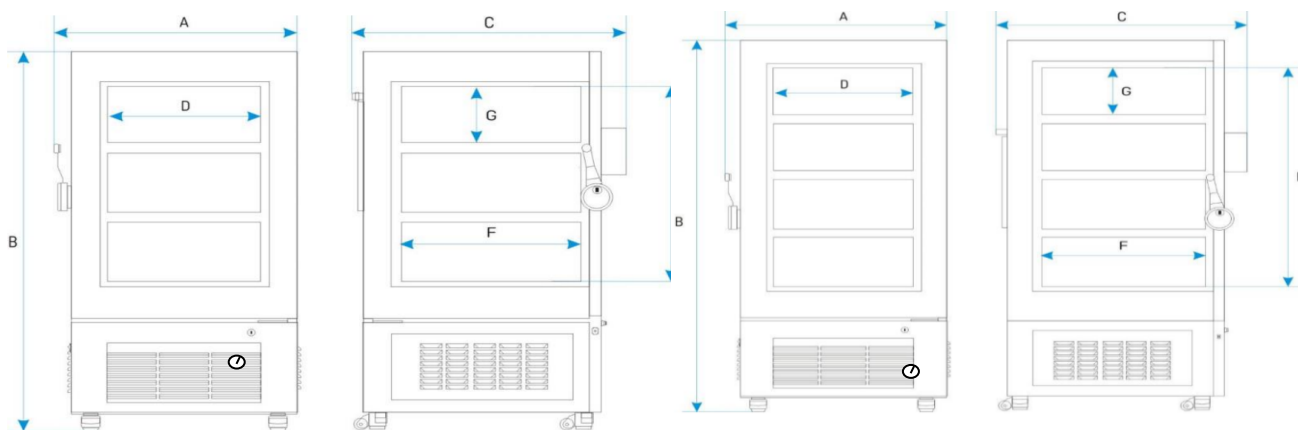
15.4. ZL

Parameter		ZLN-UT 200	ZLN- UT 300	ZLN- UT 500
air convection		natural		
chamber capacity [l]		242	326	447
number of boxes 133x133x50mm [pcs]		108	144	352
door		solid		
temperature range [°C]		-86 ...-40		
temperature range [°F]		-122,8 ...-40		
temperature resolution [°C]		every 0,1		
controller		microprocessor with external LCD graphic display		
interior	C Smart	stainless steel to. DIN 1.4016		
	P Smart	acid-proof stainless steel to. DIN 1.4301		
housing		powder coated sheet		
overall dims ¹ [mm]	A width	850	880	870
	B height	1630	1930	1990
	C depth	930	930	910
internal dims[mm]	D width	520	520	620
	D' width	830	1120	1380
	E height	560	560	570
	F depth	240	240	670
max unit workload [kg] ²		65	80	80
max shelf workload [kg]		10	10	10
nominal power [W]		2100	2100	2100
weight [kg]		180	200	200
power supply		230 V 50Hz		
number of internal chamber		3	4	2
warranty		24 months		
manufacturer		POL – EKO – APARATURA		

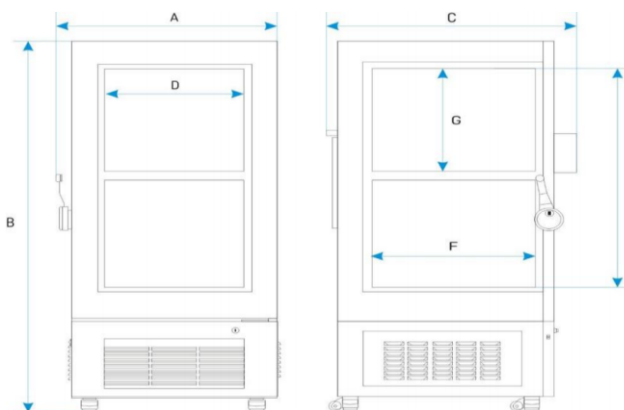
1. depth does not include 50mm of power cable
2. on uniformly loaded surface

ZLN-UT 200

ZLN-UT 300



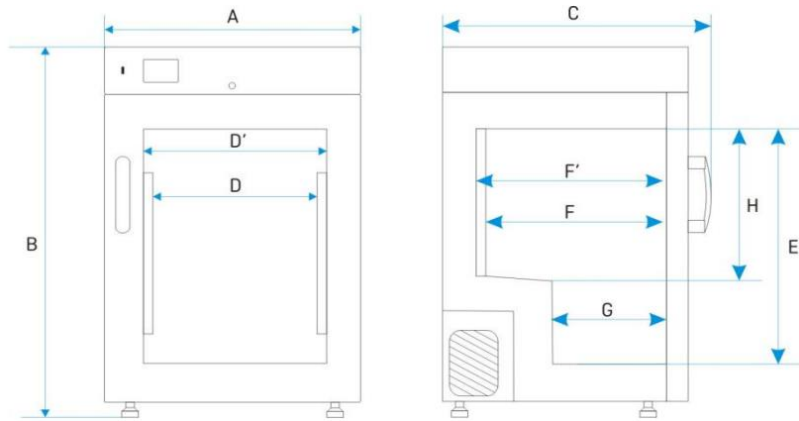
ZLN-UT 500



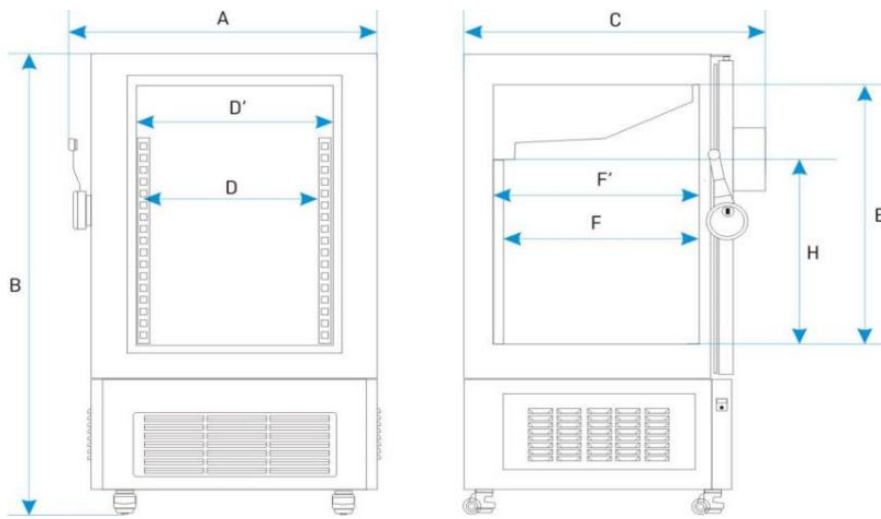
Parametr	ZLN 85	ZLN-T 125	ZLN -T 200	ZLN- T 300	ZLW- T 200	ZLW-T 300	
air convection	natural				forced		
chamber capacity [l]	85	130	210	310	210	310	
working capacity [l]	73	109	180	262	140	213	
door	solid						
temperature range [°C]	- 25...0	-40...0					
temperature range [°F]	-13...32	-25,6...32					
temperature resolution [°C]	every 0,1						
controller	microprocessor with external LCD graphic display						
interior	C Smart	stainless steel to. DIN 1.4016					
	CS Smart	stainless steel to. DIN 1.4016					
	P Smart	acid-proof stainless steel to. DIN 1.4301					
	PS Smart	acid-proof stainless steel to. DIN 1.4301					
housing	C Smart	powder coated sheet					
	CS Smart	polished stainless steel					
	P Smart	powder coated sheet					
	PS Smart	polished stainless steel					
overall dims ¹ [mm]	A width	610	660	760	760	760	
	B height	940	1190	1380	1730	1380	1730
	C depth	650	800	800	800	800	800
	D width	380	370	450	450	450	450
internal dims[mm]	D' width	420	420	520	520	520	520
	E height	590	600	770	1120	770	1120
	F depth	400	520	520	520	520	520
	F' depth	440	530	530	530	530	530
	G depth	230	-	-	-	-	-
	H height	380	-	-	-	550	900
	max shelf workload ² [kg]	-	10	10	10	10	10
PW3 version		-	50	50	50	50	50
max unit workload [kg]	-	30	50	65	80	65	80
	W4 version	-	100	130	160	160	160
nominal power [W]	200	450	470	470	500	500	
weight [kg]	60	90	120	185	120	185	
power supply	230 V 50 Hz						
shelves fitted/max	2/4	2/3	2/4	3/6	2/4	3/6	
warranty	24 months						
manufacturer	POL - EKO - APARTURA						

1. depth does not include 50mm of power cable
2. on uniformly loaded surface
3. reinforced shelf
4. reinforced version

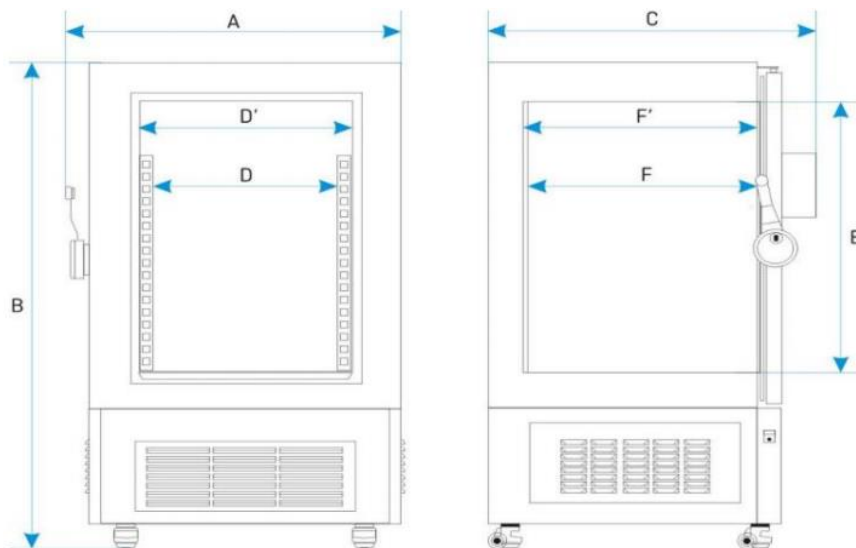
ZLN 85



ZLW-T 200, 300



ZLN-T 125, 200, 300



16. MAINTENANCE AND INSPECTION REGISTER

Type of the unit:..... Serial no:

Maintenance for ILW, CHL, ST, ZL

No.	Date	Compressor and evaporator cleaning	Signature
1			
2			
3			
4			
5			
6			
7			
8			
9			
10			
11			
12			
13			
14			
15			
16			
17			
18			
19			
20			
21			
22			
23			
24			

* every month; every week in case of high dust occurrence

16.1. Inspection

Technical inspection performed by POL-EKO-APARATURA's service once a year:

No.	Date	Description	Performer	Signature
1				
2				
3				
4				
5				



DEKLARACJA ZGODNOŚCI UE

EU DECLARATION OF CONFORMITY



Produkt:	Product:
Inkubator z chłodzeniem Peltiera	<i>Peltier- cooled incubator</i>
Model:	Model:
ILP 53; ILP 115; ILP 240; ILP 750	
w wersjach:	in version:
SMART; IG SMART; SMART PRO; IG SMART PRO	
Nazwa i adres producenta:	Name and address of the manufacturer:
POL-EKO-APARATURA sp.j. A. Polok-Kowalska, S. Kowalski ul. Kokoszycka 172c 44-300 Wodzisław Śl.	
Niniejsza deklaracja zgodności wydana zostaje na wyłączną odpowiedzialność producenta.	<i>This declaration of conformity is issued under the sole responsibility of the manufacturer.</i>
Wymieniony powyżej przedmiot niniejszej deklaracji jest zgodny z odnośnymi wymaganiami unijnego prawodawstwa harmonizacyjnego:	<i>The object of the declaration described above is in conformity with the relevant Union harmonisation legislation:</i>
LVD 2014/35/UE EMC 2014/30/UE RoHS 2011/65/UE WEEE 2012/19/UE	LVD 2014/35/EU EMC 2014/30/EU RoHS 2011/65/EU WEEE 2012/19/EU
Odniesienia do odnośnych norm zharmonizowanych, które zastosowano, lub do innych specyfikacji technicznych, w stosunku, do których deklarowana jest zgodność:	<i>References to the relevant harmonised standards used or references to the other technical specifications in relation to which conformity is declared:</i>
LVD	PN-EN 61010-1:2011 PN-EN 61010-2-010:2015-01 PN-EN 60519-1:2015-10 PN-EN 60529:2003/A2:2014-07
EMC	PN-EN 61326-1:2013-06
RoHS	PN-EN IEC 63000:2019-01

Wodzisław Śl. 23.05.2017

POL-EKO-APARATURA sp.j.
DYREKTOR
Sebastian Kowalski
(Director)



DEKLARACJA ZGODNOŚCI UE

EU DECLARATION OF CONFORMITY



Produkt:	Product:
Suszarka laboratoryjna	Drying oven
Model:	Model:
SLW 15; SLW 32; SLW 53; SLW 75; SLW 115; SLW 180; SLW 240; SLW 400; SLW 750; SLW 1000 SLN 15; SLN 32; SLN 53; SLN 75; SLN 115; SLN 180; SLN 240	
w wersjach:	in version:
SMART; IG SMART; SMART PRO; IG SMART PRO	
Nazwa i adres producenta:	Name and address of the manufacturer:
POL-EKO-APARATURA sp.j. A. Polok-Kowalska, S. Kowalski ul. Kokoszycka 172c 44-300 Wodzisław Śl.	
Niniejsza deklaracja zgodności wydana zostaje na wyłączną odpowiedzialność producenta.	This declaration of conformity is issued under the sole responsibility of the manufacturer.
Wymieniony powyżej przedmiot niniejszej deklaracji jest zgodny z odnośnymi wymaganiami unijnego prawodawstwa harmonizacyjnego:	The object of the declaration described above is in conformity with the relevant Union harmonisation legislation:
LVD 2014/35/UE EMC 2014/30/UE RoHS 2011/65/UE WEEE 2012/19/UE	LVD 2014/35/EU EMC 2014/30/EU RoHS 2011/65/EU WEEE 2012/19/EU
Odniesienia do odnośnych norm zharmonizowanych, które zastosowano, lub do innych specyfikacji technicznych, w stosunku, do których deklarowana jest zgodność:	References to the relevant harmonised standards used or references to the other technical specifications in relation to which conformity is declared:
LVD	PN-EN 61010-1:2011 PN-EN 61010-2-010:2015-01 PN-EN 60519-1:2015-10 PN-EN 60529:2003/A2:2014-07
EMC	PN-EN 61326-1:2013-06
RoHS	PN-EN IEC 63000:2019-01

Wodzisław Śl. 01.07.2019

POL-EKO-APARATURA sp.j.
DYREKTOR
Sebastian Kowalski
(Director)



DEKLARACJA ZGODNOŚCI UE

EU DECLARATION OF CONFORMITY



Produkt:	Product:
Cieplarka laboratoryjna	Laboratory incubator
Model:	Model:
CLW 15; CLW 32; CLW 53; CLW 115; CLW 180; CLW 240; CLW 400; CLW 750; CLW 1000 CLN 15; CLN 32; CLN 53; CLN 115; CLN 180; CLN 240	
w wersjach:	in version:
SMART; IG SMART; SMART PRO; IG SMART PRO	
Nazwa i adres producenta:	Name and address of the manufacturer:
POL-EKO-APARATURA sp.j. A. Polok-Kowalska, S. Kowalski ul. Kokoszycka 172c 44-300 Wodzisław Śl.	
Niniejsza deklaracja zgodności wydana zostaje na wyłączną odpowiedzialność producenta.	This declaration of conformity is issued under the sole responsibility of the manufacturer.
Wymieniony powyżej przedmiot niniejszej deklaracji jest zgodny z odnośnymi wymaganiami unijnego prawodawstwa harmonizacyjnego:	The object of the declaration described above is in conformity with the relevant Union harmonisation legislation:
LVD 2014/35/UE EMC 2014/30/UE RoHS 2011/65/UE WEEE 2012/19/UE	LVD 2014/35/EU EMC 2014/30/EU RoHS 2011/65/EU WEEE 2012/19/EU
Odniesienia do odnośnych norm zharmonizowanych, które zastosowano, lub do innych specyfikacji technicznych, w stosunku do których deklarowana jest zgodność:	References to the relevant harmonised standards used or references to the other technical specifications in relation to which conformity is declared:
LVD	PN-EN 61010-1:2011 PN-EN 61010-2-010:2015-01 PN-EN 60519-1:2015-10 PN-EN 60529:2003/A2:2014-07
EMC	PN-EN 61326-1:2013-06
RoHS	PN-EN IEC 63000:2019-01

Wodzisław Śl. 01.07.2019

POL-EKO-APARATURA sp.j.
DYREKTOR
Sebastian Kowalski
(Director)



DEKLARACJA ZGODNOŚCI UE
EU DECLARATION OF CONFORMITY



Produkt: Inkubator z chłodzeniem	Product: Cooled incubator
Model: ILW 53; ILW 115; ILW 240; ILW 400; ILW 750	Model: ILW 53; ILW 115; ILW 240; ILW 400; ILW 750
w wersjach: SMART; IG SMART; SMART PRO; IG SMART PRO	in version: SMART; IG SMART; SMART PRO; IG SMART PRO
Nazwa i adres producenta: POL-EKO-APARATURA sp.j. A. Polok-Kowalska, S. Kowalski ul. Kokoszycka 172c 44-300 Wodzisław Śl.	Name and address of the manufacturer: POL-EKO-APARATURA sp.j. A. Polok-Kowalska, S. Kowalski ul. Kokoszycka 172c 44-300 Wodzisław Śl.
Niniejsza deklaracja zgodności wydana zostaje na wyłączną odpowiedzialność producenta.	This declaration of conformity is issued under the sole responsibility of the manufacturer.
Wymieniony powyżej przedmiot niniejszej deklaracji jest zgodny z odnośnymi wymaganiami unijnego prawodawstwa harmonizacyjnego: LVD 2014/35/UE EMC 2014/30/UE RoHS 2011/65/UE WEEE 2012/19/UE	The object of the declaration described above is in conformity with the relevant Union harmonisation legislation: LVD 2014/35/UE EMC 2014/30/UE RoHS 2011/65/UE WEEE 2012/19/UE
Odniesienia do odnośnych norm zharmonizowanych, które zastosowano, lub do innych specyfikacji technicznych, w stosunku, do których deklarowana jest zgodność:	References to the relevant harmonised standards used or references to the other technical specifications in relation to which conformity is declared:
LVD	PN-EN 61010-1:2011 PN-EN 61010-2-010:2015-01 PN-EN 60519-1:2015-10 PN-EN 60529:2003/A2:2014-07
EMC	PN-EN 61326-1:2013-06
RoHS	PN-EN IEC 63000:2019-01

Wodzisław Śl. 01.07.2019

POL-EKO-APARATURA sp.j.
DYREKTOR
Sebastian Kowalski
(Director)



DEKLARACJA ZGODNOŚCI UE

EU DECLARATION OF CONFORMITY



Produkt:	Product:
Szafa termostatyczna	Cooled incubator (ST)
Model:	Model:
ST 1; ST 2; ST 3; ST 4; ST 5; ST 6; ST 500; ST 700; ST 1200; ST 1450; ST 1/1; ST 1/1/1; ST 2/2; ST 2/3; ST 2/4; ST 3/3; ST2/ZLN85; ST3/ZLN85	
w wersjach:	in version:
B SMART; C SMART; CS SMART; P SMART; PS SMART; P SMART PRO; PS SMART PRO	
Nazwa i adres producenta:	Name and address of the manufacturer:
POL-EKO-APARATURA sp.j. A. Polok-Kowalska, S. Kowalski ul. Kokoszycka 172c 44-300 Wodzisław Śl.	
Niniejsza deklaracja zgodności wydana zostaje na wyłączną odpowiedzialność producenta.	This declaration of conformity is issued under the sole responsibility of the manufacturer.
Wymieniony powyżej przedmiot niniejszej deklaracji jest zgodny z odnośnymi wymaganiami unijnego prawodawstwa harmonizacyjnego:	The object of the declaration described above is in conformity with the relevant Union harmonisation legislation:
LVD 2014/35/UE EMC 2014/30/UE RoHS 2011/65/UE WEEE 2012/19/UE	LVD 2014/35/EU EMC 2014/30/EU RoHS 2011/65/EU WEEE 2012/19/EU
Odniesienia do odnośnych norm zharmonizowanych, które zastosowano, lub do innych specyfikacji technicznych, w stosunku, do których deklarowana jest zgodność:	References to the relevant harmonised standards used or references to the other technical specifications in relation to which conformity is declared:
LVD	PN-EN 61010-1:2011 PN-EN 61010-2-010:2015-01 PN-EN 60519-1:2015-10 PN-EN 60529:2003/A2:2014-07
EMC	PN-EN 61326-1:2013-06
RoHS	PN-EN IEC 63000:2019-01

Wodzisław Śl. 01.07.2019

POL-EKO-APARATURA sp.j.
DYREKTOR
Sebastian Kowalski
(Director)



DEKLARACJA ZGODNOŚCI UE

EU DECLARATION OF CONFORMITY



Produkt:	Product:
Zamrażarka laboratoryjna	Laboratory freezer
Model:	Model:
ZLN 85; ZLN-T 125; ZLN-T 200; ZLN-T 300; ZLW-T 200; ZLW-T 300	
w wersjach:	in version:
C SMART; CS SMART; P SMART; PS SMART	
Nazwa i adres producenta:	Name and address of the manufacturer:
POL-EKO-APARATURA sp.j. A. Polok-Kowalska, S. Kowalski ul. Kokoszycka 172c 44-300 Wodzisław Śl.	
Niniejsza deklaracja zgodności wydana zostaje na wyłączną odpowiedzialność producenta.	This declaration of conformity is issued under the sole responsibility of the manufacturer.
Wymieniony powyżej przedmiot niniejszej deklaracji jest zgodny z odnośnymi wymaganiami unijnego prawodawstwa harmonizacyjnego:	The object of the declaration described above is in conformity with the relevant Union harmonisation legislation:
LVD 2014/35/UE EMC 2014/30/UE RoHS 2011/65/UE WEEE 2012/19/UE	LVD 2014/35/EU EMC 2014/30/EU RoHS 2011/65/EU WEEE 2012/19/EU
Odniesienia do odnośnych norm zharmonizowanych, które zastosowano, lub do innych specyfikacji technicznych, w stosunku, do których deklarowana jest zgodność:	References to the relevant harmonised standards used or references to the other technical specifications in relation to which conformity is declared:
LVD	PN-EN 61010-1:2011 PN-EN 60519-1:2015-10 PN-EN 60529:2003/A2:2014-07
EMC	PN-EN 61326-1:2013-06
RoHS	PN-EN IEC 63000:2019-01

Wodzisław Śl. 01.07.2019

POL-EKO-APARATURA sp.j.
DYREKTOR
Sebastian Kowalski
(Director)



DEKLARACJA ZGODNOŚCI UE

EU DECLARATION OF CONFORMITY



Produkt:	Product:
Chłodziarka laboratoryjna	Laboratory refrigerators
Model:	Model:
CHL 1; CHL 2; CHL 3; CHL 4; CHL 5; CHL 6; CHL 500; CHL 700; CHL 1200; CHL 1450; CHL 1/1; CHL 1/1/1; CHL 2/2; CHL 2/3; CHL 2/4; CHL 3/3; CHL2/ZLN85+; CHL3/ZLN85+	
w wersjach:	in version:
B SMART; C SMART; CS SMART; P SMART; PS SMART; P Smart PRO; PS SMART PRO	
Nazwa i adres producenta:	Name and address of the manufacturer:
POL-EKO-APARATURA sp.j. A. Polok-Kowalska, S. Kowalski ul. Kokoszycka 172c 44-300 Wodzisław Śl.	
Niniejsza deklaracja zgodności wydana zostaje na wyłączną odpowiedzialność producenta.	This declaration of conformity is issued under the sole responsibility of the manufacturer.
Wymieniony powyżej przedmiot niniejszej deklaracji jest zgodny z odnośnymi wymaganiami unijnego prawodawstwa harmonizacyjnego:	The object of the declaration described above is in conformity with the relevant Union harmonisation legislation:
LVD 2014/35/UE EMC 2014/30/UE RoHS 2011/65/UE WEEE 2012/19/UE	LVD 2014/35/EU EMC 2014/30/EU RoHS 2011/65/EU WEEE 2012/19/EU
Odniesienia do odnośnych norm zharmonizowanych, które zastosowano, lub do innych specyfikacji technicznych, w stosunku, do których deklarowana jest zgodność:	References to the relevant harmonised standards used or references to the other technical specifications in relation to which conformity is declared:
LVD	PN-EN 61010-1:2011 PN-EN 61010-2-010:2015-01 PN-EN 60519-1:2015-10 PN-EN 60529:2003/A2:2014-07
EMC	PN-EN 61326-1:2013-06
RoHS	PN-EN IEC 63000:2019-01

Wodzisław Śl. 01.07.2019

POL-EKO-APARATURA sp.j.
DYREKTOR
Sebastian Kowalski
(Director)



DEKLARACJA ZGODNOŚCI UE

EU DECLARATION OF CONFORMITY



Produkt:	Product:
Zamrażarka niskotemperaturowa	Ultra-low freezer
Model:	Model:
ZLN-UT 200; ZLN-UT 300; ZLN-UT 500	
w wersjach:	in version:
C SMART; P SMART; P SMART PRO	
Nazwa i adres producenta:	Name and address of the manufacturer:
POL-EKO-APARATURA sp.j. A. Polok-Kowalska, S. Kowalski ul. Kokoszycka 172c 44-300 Wodzisław Śl.	
Niniejsza deklaracja zgodności wydana zostaje na wyłączną odpowiedzialność producenta.	This declaration of conformity is issued under the sole responsibility of the manufacturer.
Wymieniony powyżej przedmiot niniejszej deklaracji jest zgodny z odnośnymi wymaganiami unijnego prawodawstwa harmonizacyjnego:	The object of the declaration described above is in conformity with the relevant Union harmonisation legislation:
LVD 2014/35/UE EMC 2014/30/UE RoHS 2011/65/UE WEEE 2012/19/UE	LVD 2014/35/EU EMC 2014/30/EU RoHS 2011/65/EU WEEE 2012/19/EU
Odniesienia do odnośnych norm zharmonizowanych, które zastosowano, lub do innych specyfikacji technicznych, w stosunku do których deklarowana jest zgodność:	References to the relevant harmonised standards used or references to the other technical specifications in relation to which conformity is declared:
LVD	PN-EN 61010-1:2011 PN-EN 60519-1:2015-10 PN-EN 60529:2003/A2:2014-07
EMC	PN-EN 61326-1:2013-06
RoHS	PN-EN IEC 63000:2019-01

Wodzisław Śl. 09.07.2019

POL-EKO-APARATURA sp.j.
DYREKTOR
Sebastian Kowalski
(Director)



DEKLARACJA ZGODNOŚCI UE
EU DECLARATION OF CONFORMITY



Produkt:	Product:
Sterylizator laboratoryjny	Laboratory sterilizer
Model:	Model:
SRW 53; SRW 115; SRW 240; SRW 400; SRW 750; SRW 1000 SRN 53; SRN 115; SRN 240	
w wersjach:	in version:
IG SMART; SMART	
Nazwa i adres producenta:	Name and address of the manufacturer:
POL-EKO-APARATURA sp.j. A. Polok-Kowalska, S. Kowalski ul. Kokoszycka 172c 44-300 Wodzisław Śl.	
Niniejsza deklaracja zgodności wydana zostaje na wyłączną odpowiedzialność producenta.	This declaration of conformity is issued under the sole responsibility of the manufacturer.
Wymieniony powyżej przedmiot niniejszej deklaracji jest zgodny z odnośnymi wymaganiami unijnego prawodawstwa harmonizacyjnego:	The object of the declaration described above is in conformity with the relevant Union harmonisation legislation:
LVD 2014/35/UE EMC 2014/30/UE RoHS 2011/65/UE WEEE 2012/19/UE	LVD 2014/35/EU EMC 2014/30/EU RoHS 2011/65/EU WEEE 2012/19/EU
Odniesienia do odnośnych norm zharmonizowanych, które zastosowano, lub do innych specyfikacji technicznych, w stosunku, do których deklarowana jest zgodność:	References to the relevant harmonised standards used or references to the other technical specifications in relation to which conformity is declared:
LVD	PN-EN 61010-1:2011 PN-EN 61010-2-010:2015-01 PN-EN 60519-1:2015-10 PN-EN 60529:2003/A2:2014-07
EMC	PN-EN 61326-1:2013-06
RoHS	PN-EN IEC 63000:2019-01

Wodzisław Śl. 01.07.2019

POL-EKO-APARATURA sp.j.
DYREKTOR
Sebastian Kowalski
(Director)



Producer of basic and indispensable laboratory equipment
as well as continuous measurement equipment.

Authorized dealer of:
Knick, Thermo Scientific, WTW



POL-EKO-APARATURA sp.j.

A. Polok-Kowalska, S. Kowalski
ul. Kokoszycka 172 C
44-300 Wodzisław Śląski, Poland
Tel. +48 / 32 453 91 70, Fax. +48 / 32 453 91 85

e-mail: info@pol-eko.com.pl

web: <https://www.pol-eko.com.pl> * <https://www.cieplarki.pl>

We produce:

- thermostatic cabinets
- refrigerators
- laboratory freezers
- heating ovens
- cooled incubators
- drying ovens
- colony counters
- stationary samplers
- specialized devices for controlled sewage
and waste waters taking

We organize:

- trainings
- seminars

We provide:

- warranty service
- post-warranty service

We offer portable, laboratory and on-line equipment:

- pH-meters
- ISE measuring
- dissolved oxygen meters
- conductivity meters
- photometers
- spectrophotometers
- thermo reactors
- turbidity meters
- heavy metals trace analyzers
- pH electrodes
- conductivity sensors
- D.O. sensors
- pH buffer solutions
- conductivity standards
- photometric tests
- chromatography syringes
- laboratory accessories

We advise our customers as far as the choice
and maintenance of the equipment are concerned !